

HC-1230, -1240 and -1250 Series Hygrostats

Introduction

The HC-1230 series room hygrostats and the HC-1240 and HC-1250 series duct hygrostats are designed to control humidifying and dehumidifying equipment.

The HC-1230 and HC-1240 provide one SPDT contact.

The HC-1250 provides two SPDT contacts.



**HC-1230 room and HC-1240 / -1250 duct,
Hygrostats**

Features and Benefits	
<input type="checkbox"/> Room or duct enclosures, wide set point range.	Flexible application.
<input type="checkbox"/> SPDT contact.	Used for humidification or dehumidification and provides alarm signal.
<input type="checkbox"/> Model with two SPDT contacts available.	Available for two switching ranges with neutral zone.

Ordering data

HC-12 0-7001

Enclosure and contact

- 3 Room, 1 SPDT contact
- 4 Duct, 1 SPDT contact
- 5 Duct, 2 SPDT contacts

Note: A fixing bracket for the duct hygrometers is included in delivery.

Accessories

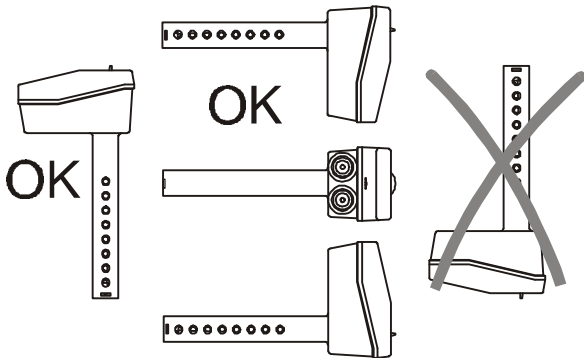
EQ-1240-7001	Kit for IP55 duct enclosure
EQ-1230-7001	Wall bracket

Installation and wiring instructions

To install please follow the instructions below:

- Locate the hygrometers where they will be exposed to normal ambient conditions.
- Avoid untypical draughts.
- Avoid exposure to direct heat or light radiation (sun, lamps or radiators), as this will cause incorrect readings.
- Avoid installing the hygrometers close to the humidification device, this could lead to condensation affecting the hygrometer.

Please note the installation orientation as illustrated below.



! WARNING

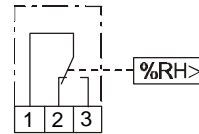
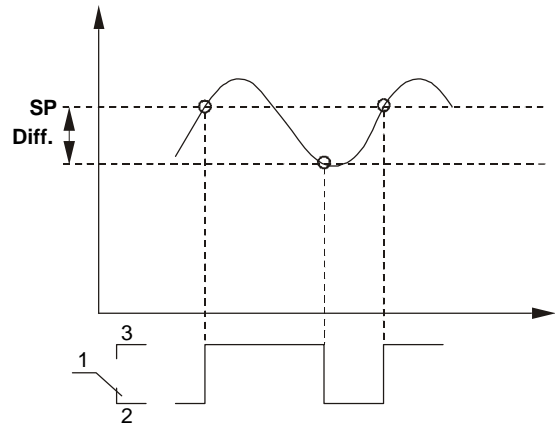
Shock Hazard

Disconnect the power supply before wiring connections are made to prevent personal injury, shock or damage to equipment.

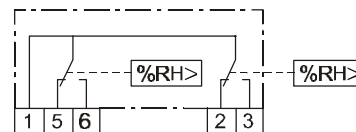
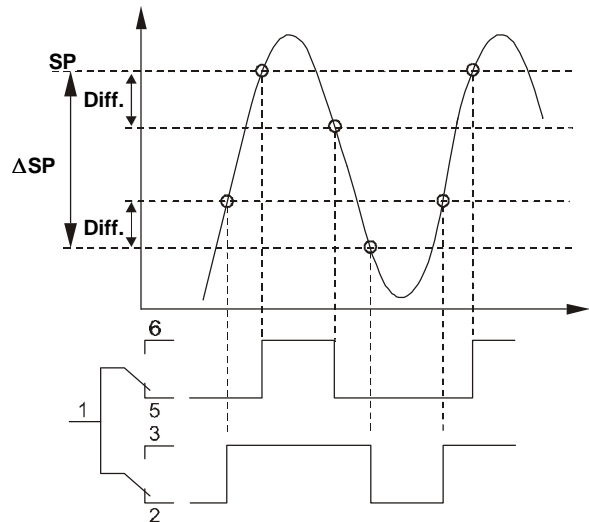
Equipment Damage Hazard

Make and check all wiring connections before applying power to the system. Short circuited or improperly connected wires may result in permanent damage to the unit.

Wiring diagram

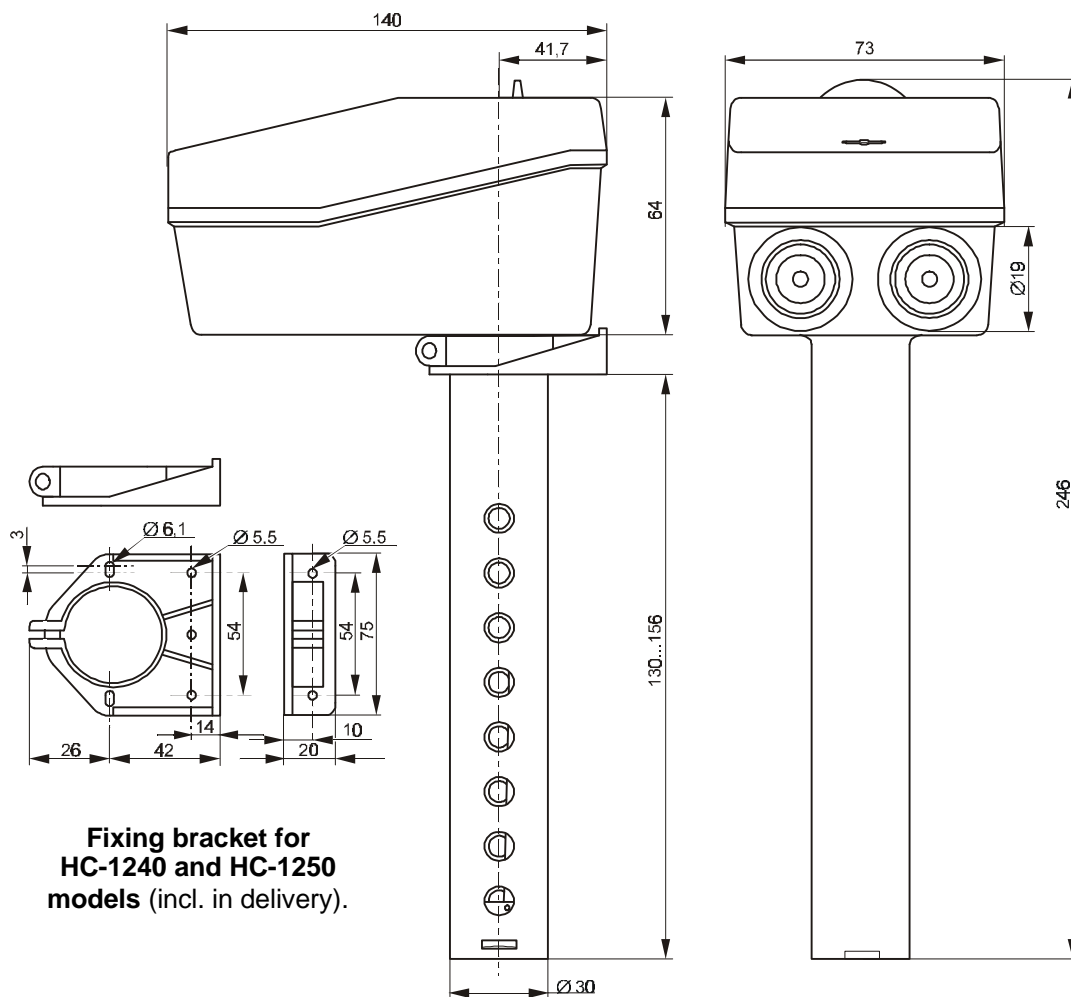


HC-1230 and HC-1240
(See "specifications")



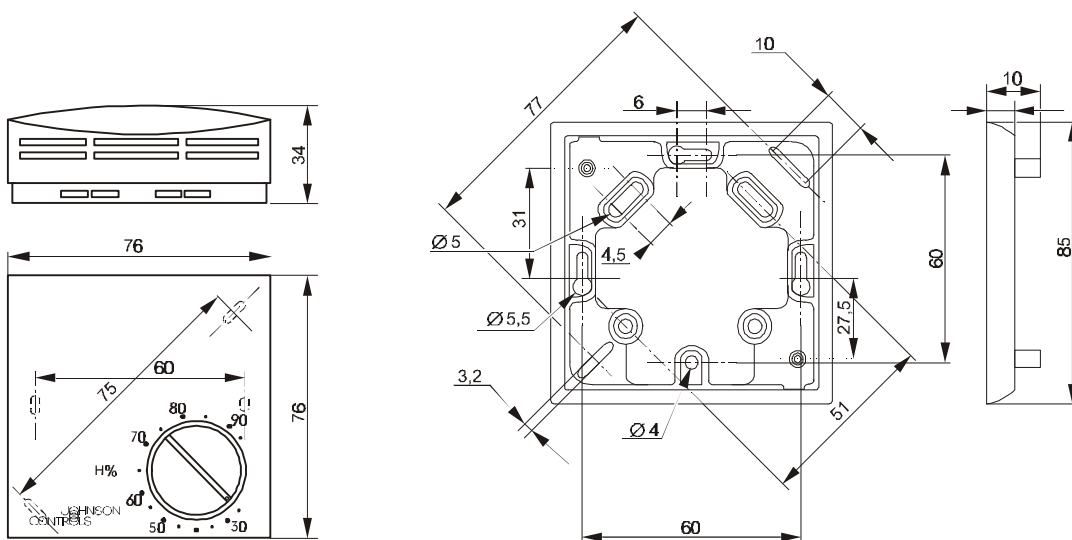
HC-1250
(See "specifications")

Dimensions (in mm)



**Fixing bracket for
HC-1240 and HC-1250
models (incl. in delivery).**

HC-1240 and 1250 models



HC-1230 model

**Accessory for HC-1230 model
(Wall bracket)**

Specifications

Models	HC-1230-7001 Room Hygrostat	HC-1240-7001 Duct Hygrostat	HC-1250-7001 Duct Hygrostat
Sensing element	Stabilised synthetic textile		
Contacts	1 SPDT		2 SPDT
Operating range (SP)	30...90 % RH	15...95 % RH	
Switching differential (Diff.)	6 % RH	4 % RH	
Neutral zone (ΔSP)	--		6...25 % RH
Time constant	Approx. 5 min. at 0,2m/s	Approx. 3 min. at 0,2m/s	
Calibrated at	55 RH at 23°C		
Long term stability	Approx -1,5 % RH / annum		
Ambient temperature limits	0...40°C (-25...40°C non- condensing)	0...70°C (-25...70°C non-condensing)	
Enclosure protection	IP 20	IP 30 (IP 55 with kit EQ-1240-7001)	
Casing materials	Cover: PC Lexan 940	Cover: PC / ABS Cycoloy C2100	
	Base: PPS Fortron 1140L4. Fibre glass reinforced		
Electrical ratings	Max. 5 (3) A, 250 VAC; Min 100 mA, 24 VAC		
Electrical connections	Screw connectors max. 2 x 1,5mm ²		
Net shipping weight	135g	445g	470g
Approvals	European Directives: EMC (89 / 336 EEC) LVD (73 / 23 / EEC)		

The performance specifications are nominal and conform to acceptable industry standards. For application at conditions beyond these specifications, consult the local Johnson Controls office.

Johnson Controls, Inc. shall not be liable for damages resulting from misapplication or misuse of its products.

Johnson Controls International, Inc.

Headquarters: Milwaukee, WI, USA

European headquarters: Westendhof 8, 45143 Essen, Germany

European Factories: Lomagna (Italy), Leeuwarden (The Netherlands), Essen (Germany)

Branch Offices: principal European Cities

Printed in Germany